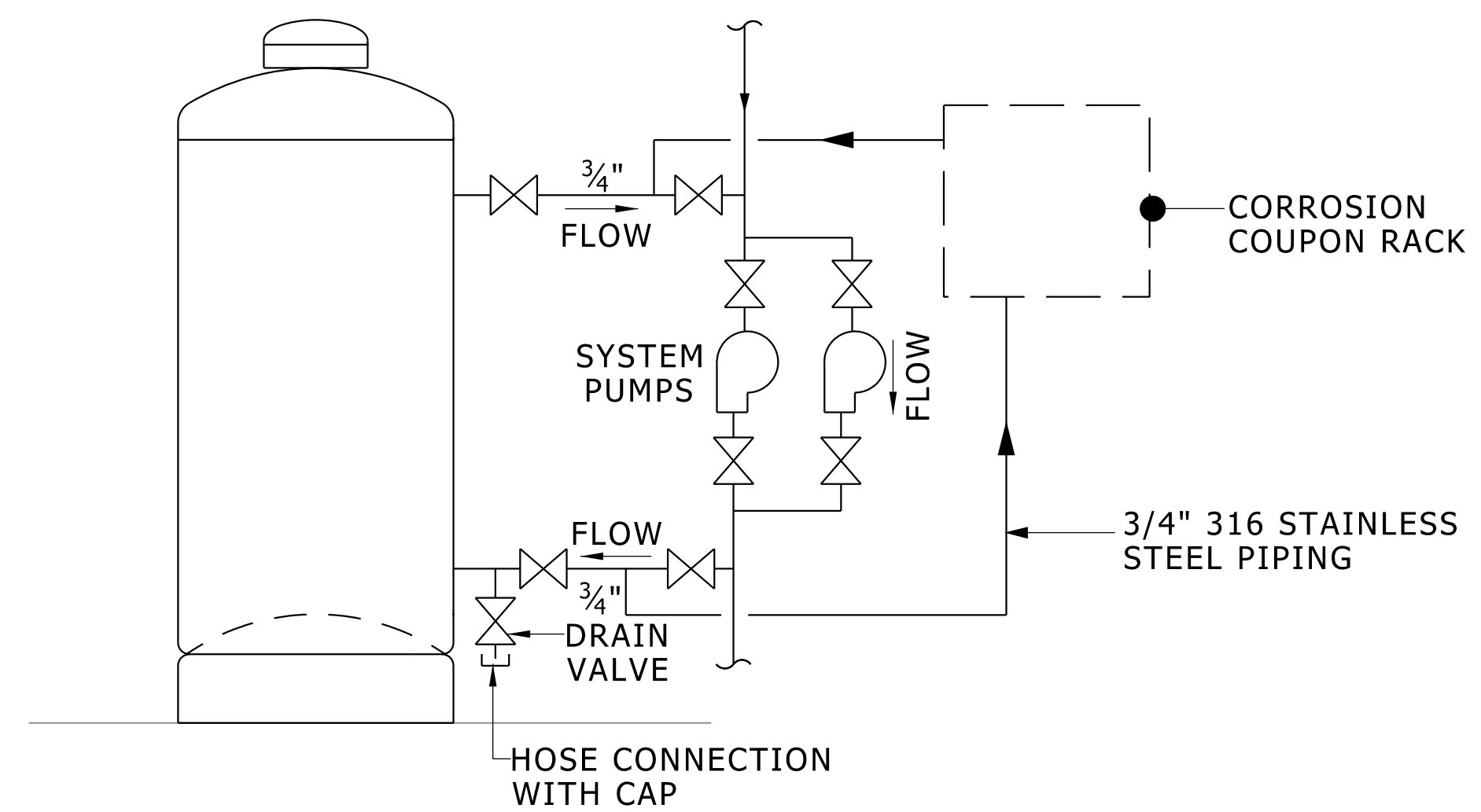


**CORROSION\_COUPON\_RACK**



**SHOT\_FEEDER\_PIPING\_SCHEMATIC**

**SHOT FEEDER:**

THE FEEDER SHALL NOT BE SUPPORTED BY THE SUPPLY AND RETURN PIPING.  
 THE FEEDER TOP OPENING SHALL NOT BE MORE THAN 48 INCHES ABOVE THE FLOOR TO AVOID ANY SPLASHING OF CHEMICALS ON THE OPERATOR.

**PIPING:**

PIPE SHOT FEEDER & COUPON RACK SO SUPPLY AND RETURN CONNECTIONS ARE COMMON TO ALL SYSTEM PUMPS.

**CLOSED SYSTEM SHOT FEEDER DETAIL**

NO SCALE

MD 232513 003 2018 11 01.dgn